

**MADE IN
TURKEY**



OUTPUT VALUES

Standby Power	Voltage	230/400
Standby Power	kVA	550
Standby Power	kW	440
Standby Power	Amper	792
Prime Power	Voltage	230/400
Prime Power	kVA	500

Prime Power	kW	400
Prime Power	Amper	720

DIESEL ENGINE

Brand	PERKINS
Model	2506A-E15TAG2
Max. Total Output Pow. (kWm/hp)	495/663.8
Cylinder Displacement (lt)	15,2
Cylinder Orientation	6 Single Line
Bore x Stroke(mm*mm)	137 X 171
Compression Ratio	16.1:1
Governor Type	ECM
Rotation	1500 RPM
Aspiration System	Natural
Injection	Direct
Cooling System	Water Cooled
Electrical System(V DC)	24
Oil Capacity (lt)	62
Engine Coolant Capacity (lt)	50
Fuel Cons. %50 (lt/h)	53
Fuel Cons. %75 (lt/h)	76
Fuel Cons. %100 (lt/h)	100

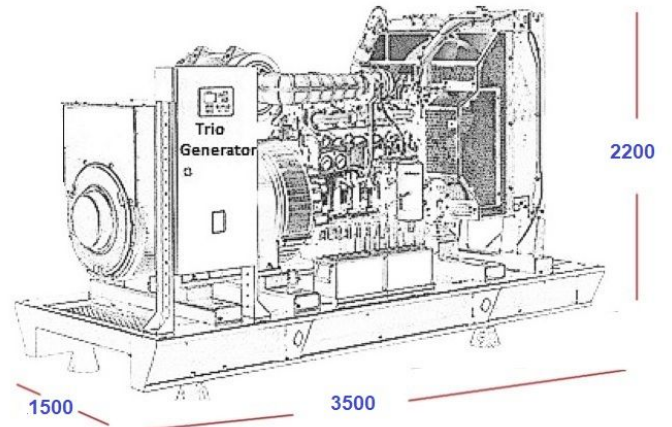
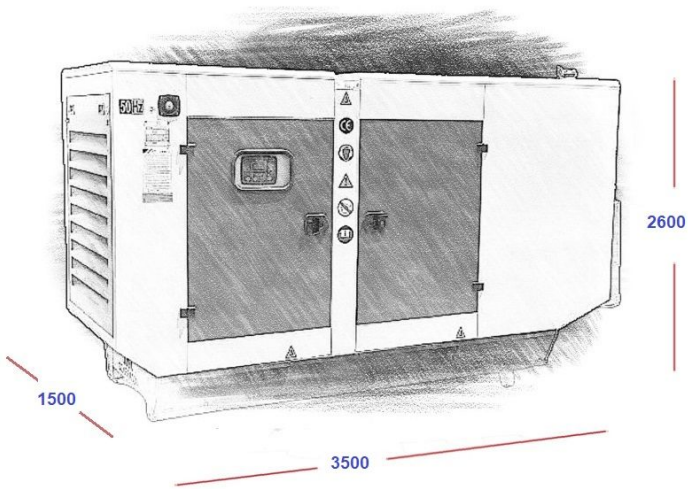
ALTERNATOR

Standby Power (kVa/kw)	550/440
Prime Power (kVa/kw)	500/400
Brand	LEROY SOMER
Output Voltage (V)	231/400
Frequency (Hz)	50
Stationary Vol. Regulation(±)	0,01
Short Circuit Current	%300 (10 sec)
Insulation	H
Protection	IP23
Efficiency (%)	92
Overloading	110% for 1 hour
Power Factor (cos Q=0.8)	0,8
Tot. Harmonic Dist. Rate	<1 %
Connection Type	Star
Number of Pole	4
Number of Bearing	Single

DIMENSIONS & WEIGHT

Without Canopy	Width	1500 mm
Without Canopy	Length	3500 mm
Without Canopy	High	2200 mm
Without Canopy	Weight	3250 kg

Without Canopy	Fuel Tank Capacity	660 lt
With Canopy	Width	1500 mm
With Canopy	Length	3500 mm
With Canopy	High	2600 mm
With Canopy	Weight	4810 kg
With Canopy	Fuel Tank Capacity	660 lt



**MADE IN
TURKEY**